

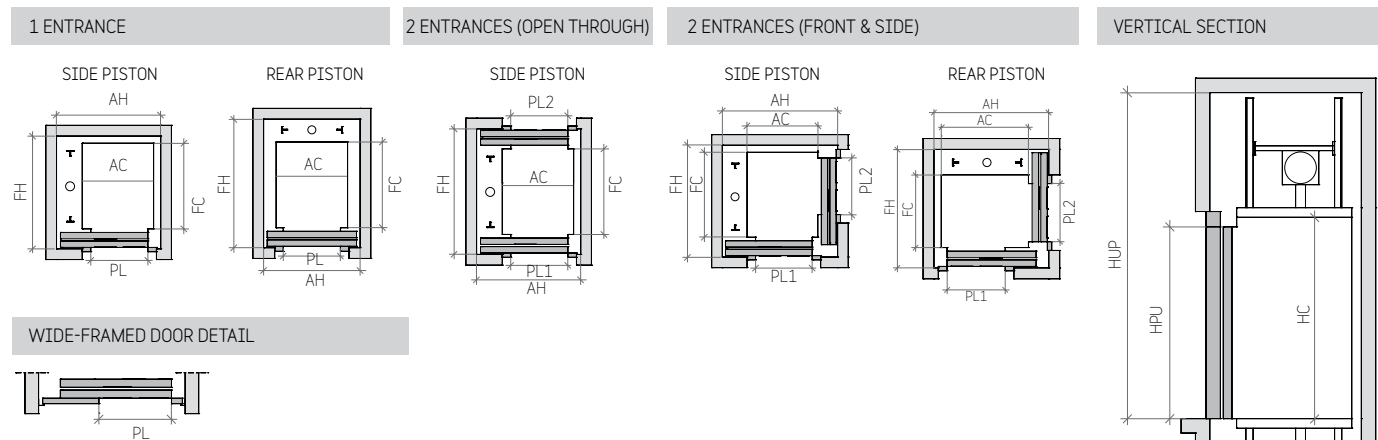
Standard dimensions

Load / Capacity		Lift shaft *													HF Pit	HUP ² Last Floor	
		Side piston (T 2P Doors)							Rear piston (C 4P Doors)								
		Standard car			Lift shaft				Standard car			Lift shaft					
Persons	Q Load	AC Width	FC Depth	PL Clear opening	Entrances		AH Width	FH ¹ Depth	AC Width	FC Depth	PL Clear opening	Entrances		AH Width	FH ¹ Depth		
					Accessibility	No. of entrances						Accessibility	No. of entrances				
4	320 kg	825	1100	700		1	1250	1350	825	1100	700	1	1175	1650	1050	3010	
						2 x 180°	1250	1500				2 x 180°	1175	1650			
						2 x 90°	1400	1350				2 x 90°	1175	1650			
6	450 kg	1000	1250	800	♿	1	1425	1500	1000	1250	800	♿	1	1325	1800	3150	
						2 x 180°	1425	1650				♿	2 x 180°	1325	1800		
						2 x 90°	1575	1500				♿	2 x 90°	1325	1800		
8	630 kg	1100	1400	900	♿	1	1575	1650	1200	1250	900	♿	1	1475	1800	1100	3230
						2 x 180°	1575	1800				♿	2 x 180°	1475	1800		
						2 x 90°	1675	1650				♿	2 x 90°	1475	1800		
10	800 kg	1350	1400	900	♿	1	1800	1650	1350	1400	900	♿	1	1700	1975	1100	3230
						2 x 180°	1800	1800					2 x 180°	1700	1975		
						2 x 90°	1925	1650					2 x 90°	1700	1975		
13	1,000 kg	1100	2100	900	♿	1	1550	2350	1600	1400	1000	♿	1	1700	1975	1100	3230
						2 x 180°	1550	2500					2 x 180°	1700	1975		
						2 x 90°	1675	2350					2 x 90°	1850	1975		
13	1,000 kg	1400	1600	1000	♿	1	1850	1850	1600	1400	1000	♿	1	1700	1975	1100	3230
						2 x 180°	1850	2000					2 x 180°	1850	1975		
						2 x 90°	1975	1850					2 x 90°	1850	1975		

- 1 Shaft depth with door tracks projecting 60 mm on the landing
- 2 Minimum HUP for internal car height (HC) of 2,100 mm (HUP = HC+1,225)

- 3 Usable for disabled people, according to European standard EN 81-70
- * Minimum plumb measurements

Layout



Customised car dimensions

SIDE PISTON

		Car width										Clear door opening															
		16	15	14	13	12	11	10	9	8	7	6	5	4	3	2	1	0	600	700	800	900	1000	1100	1200	1300	1400
16	16	15	13	13	12	11	10	9																			
15	14	13	13	12	10	10	9	8	8	7	6	5	5														
13	13	12	11	10	10	9	8	8	7	6	5	5	4														
12	11	10	10	9	8	8	7	7	6	5	5	4	4														
10	10	9	8	8	8	7	6	6	5	5	4	4															
9	8	8	8	7	7	6	5	5	5	4	4																

REAR PISTON

		Car width										Clear door opening																		
		13	12	10	9	2100	2000	1900	1800	1700	1600	1500	1400	1300	1200	1100	1000	900	800	600	700	800	900	1000	1100	1200	1300	1400	1500	1600
13	13	12	10	9	8																									
12	13	12	10	9	8																									
11	13	12	10	9	8																									
10	13	12	10	9	8																									
9	13	12	10	9	8																									
13	12	11	10	8	8																									
12	11	10	9	8	8																									
11	10	9	8	8	7	6	5	1300																						
10	9		8	7	6	5	5	1200																						
9			7	6	5	5	4	1100																						
			6	5	5	4	4	1000																						
			5	5	4	4		900																						
			5	4	4			800																						

Note:
Car width and depth variable in increments of 5 mm.
For simplification, table samples show increments of 100 mm.

Note:
Car width and depth variable in increments of 5 mm.
For simplification, table samples show increments of 100 mm.

