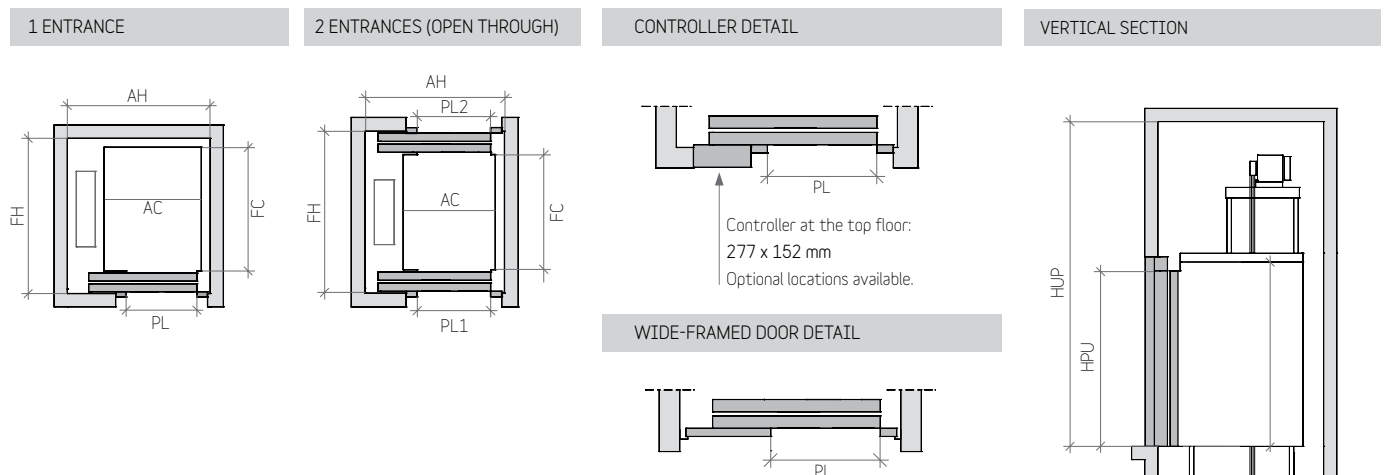


Standard dimensions

Load / Capacity			Car			Lift shaft *							
Speed	Persons	Q Load	AC Width	FC Depth	PL Clear opening	Entrances		Side-opening doors		Central-opening doors		HF Pit	HUP Last Floor
						Accessibility	No. of entrances	AH ¹ Width	FH ² Depth	AH Width	FH ³ Depth		
1 m/s	4	320 kg	825	1100	700		1	1300	1350			1000 (830) ⁴	3400 (3050) ⁵
	6	450 kg	1000	1250	800	♿	2 x 180 ⁰	1450	1500	1725	1450		
							2 x 180 ⁰	1450	1650		1550		
	8	630 kg	1100	1400	900	♿	1	1600	1675	1925	1625		
							2 x 180 ⁰	1600	1850		1750		
	10	800 kg	1350	1400	900	♿	1	1825	1675	1925	1625		
							2 x 180 ⁰	1825	1850		1750		
	13	1,000 kg	1600	1400	1000	♿	1	2075	1675	2150	1625		
							2 x 180 ⁰	2075	1850		1750		
	13	1,000 kg	1100	2100	1000	♿	1	1775	2375	2125	2300		
2 x 180 ⁰							1775	2550	2400				
1.6 m/s	4	320 kg	825	1100	700		1	1325	1350			1120	3550
	6	450 kg	1000	1250	800	♿	2 x 180 ⁰	1475	1500	1725	1450		
							2 x 180 ⁰	1475	1650		1550		
	8	630 kg	1100	1400	900	♿	1	1625	1675	1925	1625		
							2 x 180 ⁰	1625	1850		1750		
	10	800 kg	1350	1400	900	♿	1	1850	1675	1925	1625		
							2 x 180 ⁰	1850	1850		1750		
	13	1,000 kg	1600	1400	1000	♿	1	2100	1675	2175	1625		
							2 x 180 ⁰	2100	1850		1750		
	13	1,000 kg	1100	2100	1000	♿	1	1775	2375	2125	2300		
2 x 180 ⁰							1775	2550	2400				

- 1 Accessible space below the pit (counterweight with safety gear) add 115 mm to AH
 - 2 Shaft depth with door tracks projecting 60 mm on the landing
 - 3 Shaft depth with door tracks projecting 40 mm on the landing
 - 4 HF reduced pit optional 830 mm
 - 5 HUP reduced headroom optional. Consult availability of car dimensions
- * Minimum plumb measurements

Layout



Customised car dimensions

		Car width										Clear door opening											
		13	12									1600											
		13	13	11								1500											
			13	13	12	11	10					1400											
				13	12	11	10	9	8			1300											
					13	12	11	10	9	8	6	1200											
13	13	12	11	11	10	9	8	8	7	6	5	1100											
12	12	11	10	10	9	8	7	7	6	5	5	1000											
11	10	10	9	8	8	7	7	6	5	5	4	900											
					6	6	5	5	4	4		800											
		2100	2000	1900	1800	1700	1600	1500	1400	1300	1200	1100	1000	600	700	800	900	1000	1100	1200	1300	1400	1500

Note: Car width and depth variable in increments of 5 mm.
For simplification, table samples show increments of 100 mm.